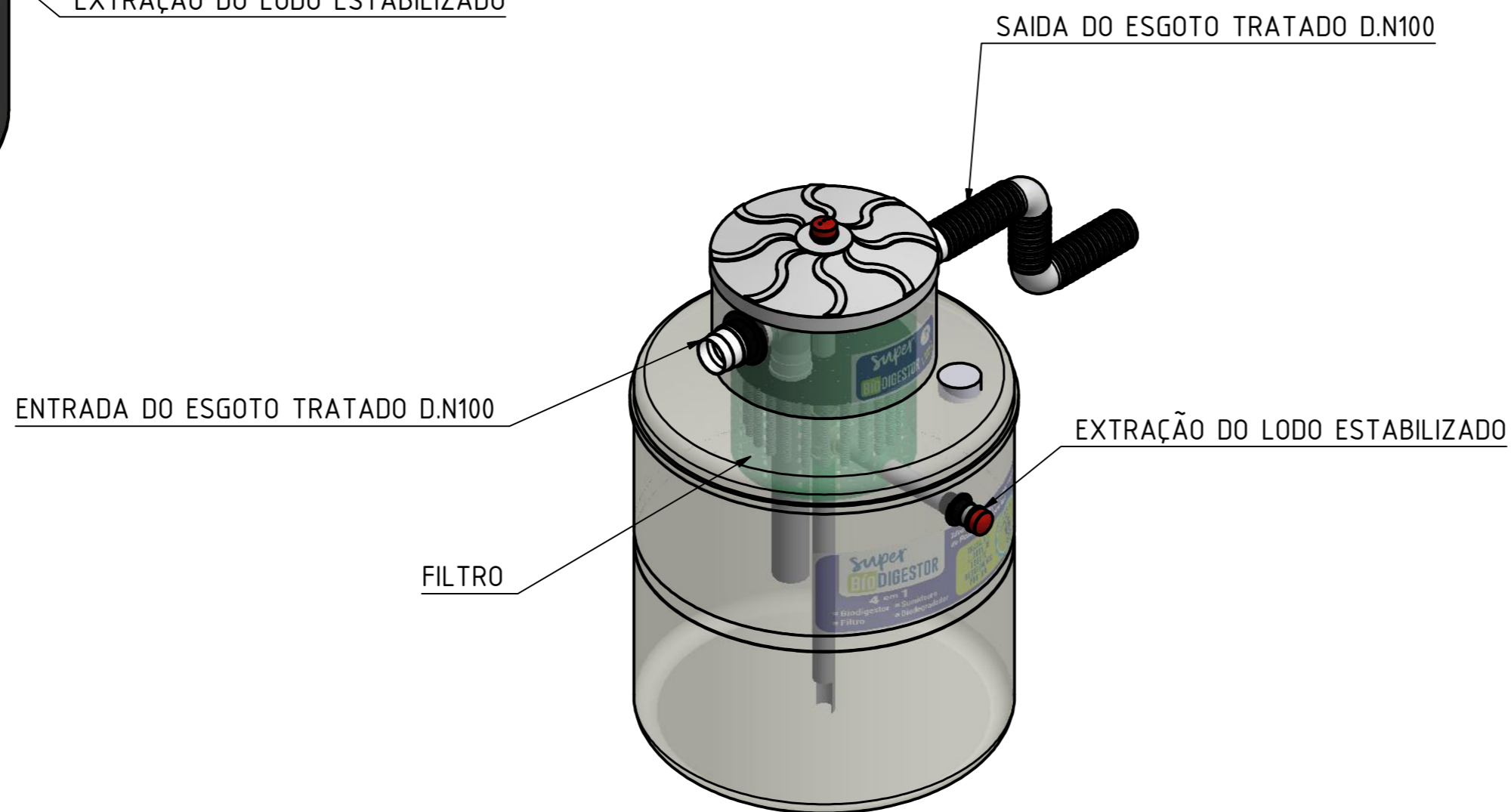
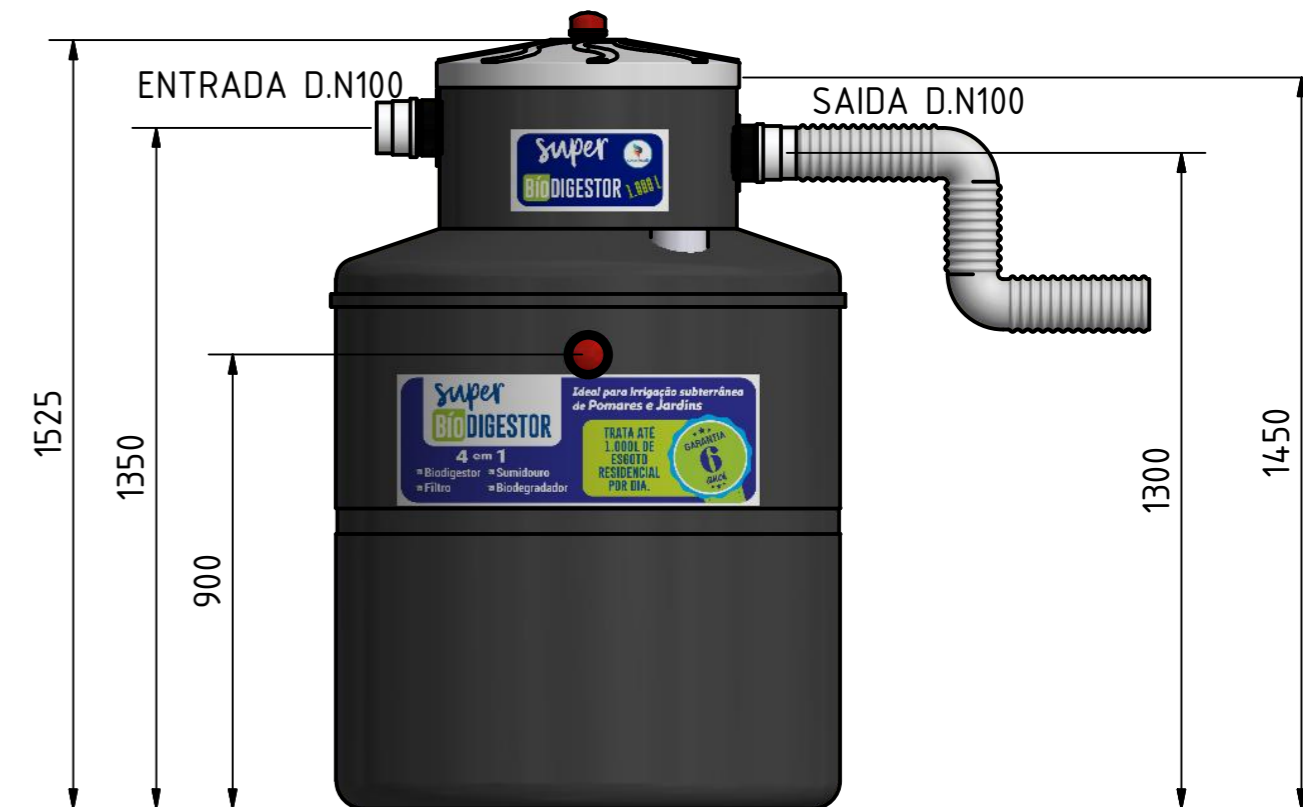


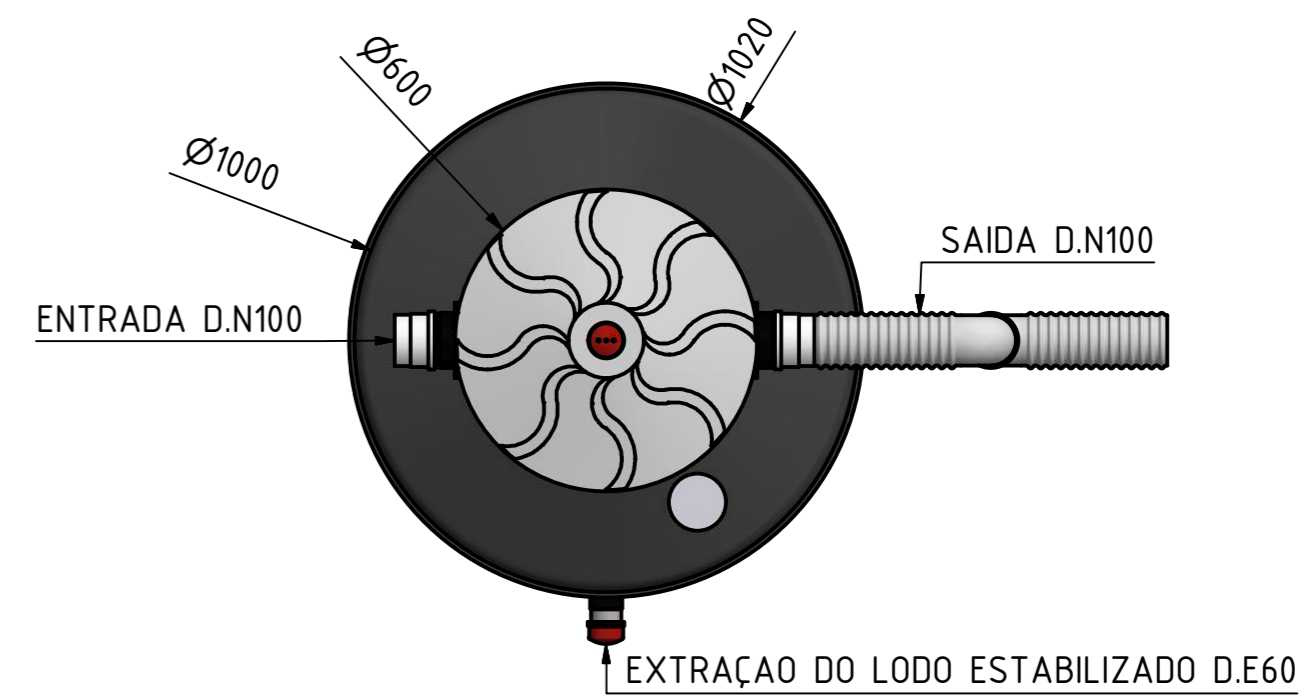
VISTA ISOMETRICA



VISTA ISOMETRICA DETALHE



VISTA FRONTAL



VISTA SUPERIOR

| | | | | | |
|-------|---------|----------|------------|----------------------------|--|
| | | | | | |
| | | Date | Name | | |
| | | Drawn | 16/07/2019 | leonardo | |
| | | Checked | | | |
| | | Standard | | | |
| | | | | SUPER BIODIGESTOR 1000 1 T | |
| | | | | A2 | |
| State | Changes | Date | Name | | |